

## CENTRIFUGAL PUMPS - in AISI 304

Single impeller centrifugal pumps with hydraulic components manufactured from stainless steel AISI 304, suitable for pressure boosting, water supply, treatment & irrigation, air-conditioning system and general water pumping including moderately aggressive liquids.



### SPECIFICATIONS

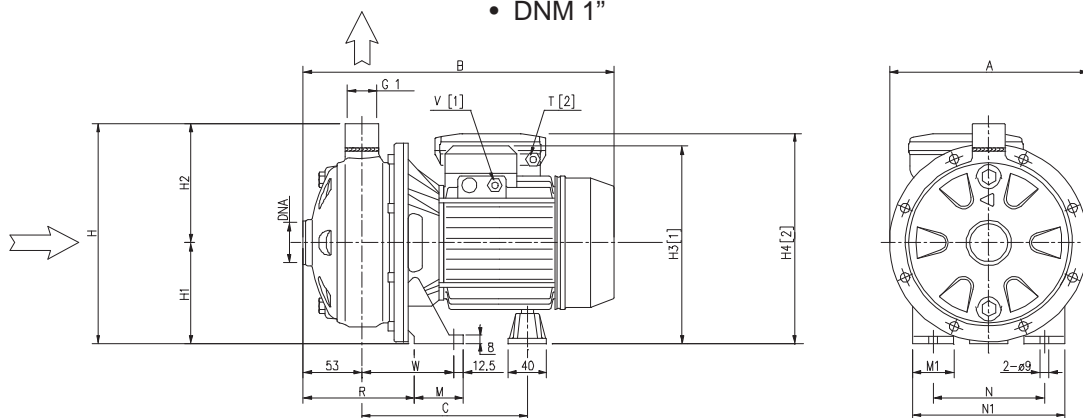
- Maximum working pressure : 8 bar
- Maximum liquid temperature : 35°C according EN 60335-2-41 for domestic uses  
60°C for other uses of CDX 70/05-70/07-90/10  
90°C for other uses  
110°C for H version

### MATERIALS

- Pump body, impeller, diffuser and casing cover in AISI 304
- Shaft in AISI 303
- Bracket and motor casing in aluminium
- Mechanical seal in carbon/ceramic/NBR
- Special mechanical seal is available on request

### TECHNICAL DATA

- T.E.F.C. 2 pole motor
- Insulation: Class F
- Protection degree: IP55
- 1~230V ± 10% 50Hz, 3~230/400V ± 10% 50Hz
- Permanent split capacitor and automatic thermal overload protection for single-phase version
- Thermal protection to be provided by the user for three-phase version
- DNM 1"

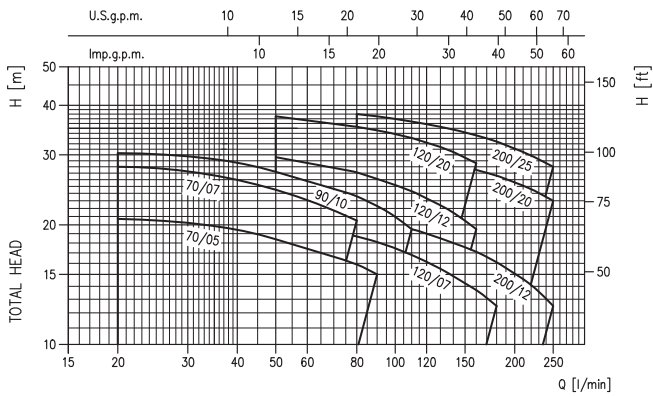


## DIMENSIONAL TABLE

| Pump type    |             | Dimensions (mm) |     |     |     |       |     |       |     |     |    |    |     |     |       |        |      | Weight Kg    |             |      |      |
|--------------|-------------|-----------------|-----|-----|-----|-------|-----|-------|-----|-----|----|----|-----|-----|-------|--------|------|--------------|-------------|------|------|
|              |             | A               | B   | C   | H   | H1    | H2  | H3    | H4  | M   | M1 | N  | N1  | R   | T     | W      | DNA  | Single-phase | Three-phase |      |      |
| Single-phase | Three-phase |                 | 1~  | 3~  |     |       |     |       |     |     |    |    |     |     |       |        |      |              |             |      |      |
| CDXM 70/05   | CDX 70/05   | 208             | 318 | 318 | 178 | 229.5 | 106 | 123.5 | 209 | 215 | 50 | 38 | 120 | 160 | 108   | PG11   | 92.5 | G 1 1/4      |             | 9.1  | 9.1  |
| CDXM 70/07   | CDX 70/07   | 208             | 318 | 318 | 178 | 229.5 | 106 | 123.5 | 209 | 215 | 50 | 38 | 120 | 160 | 108   | PG11   | 92.5 | G 1 1/4      |             | 10.4 | 10.4 |
| CDXM 90/10   | CDX 90/10   | 208             | 318 | 318 | 178 | 229.5 | 106 | 123.5 | 209 | 215 | 50 | 38 | 120 | 160 | 108   | PG11   | 92.5 | G 1 1/4      |             | 11.9 | 11.9 |
| CDXM 120/07  | CDX 120/07  | 208             | 318 | 318 | 178 | 229.5 | 106 | 123.5 | 209 | 215 | 50 | 38 | 120 | 160 | 108   | PG11   | 92.5 | G 1 1/4      |             | 10.4 | 10.4 |
| CDXM 120/12  | CDX 120/12  | 208             | 318 | 318 | 178 | 229.5 | 106 | 123.5 | 209 | 215 | 50 | 38 | 120 | 160 | 108   | PG13.5 | 92.5 | G 1 1/4      |             | 12.5 | 12.5 |
| CDXM 120/20  | CDX 120/20  | 232             | 345 | 345 | 199 | 250   | 118 | 132   | 235 | 253 | 55 | 40 | 140 | 180 | 105.5 | PG13.5 | 95   | G 1 1/2      |             | 17.2 | 16.2 |
| CDXM 200/12  | CDX 200/12  | 208             | 318 | 318 | 178 | 229.5 | 106 | 123.5 | 209 | 215 | 50 | 38 | 120 | 160 | 108   | PG13.5 | 92.5 | G 1 1/2      |             | 16.3 | 11.4 |
| CDXM 200/20  | CDX 200/20  | 208             | 345 | 345 | 199 | 229.5 | 106 | 123.5 | 223 | 240 | 55 | 40 | 140 | 180 | 105.5 | PG13.5 | 95   | G 1 1/2      |             | 15.3 | 14.2 |
|              | CDX 200/25  | 232             | -   | 345 | 199 | 250   | 118 | 132   | 235 | -   | 55 | 40 | 140 | 180 | 105.5 | -      | 95   | G 1 1/2      |             |      |      |

# PERFORMANCE CURVE

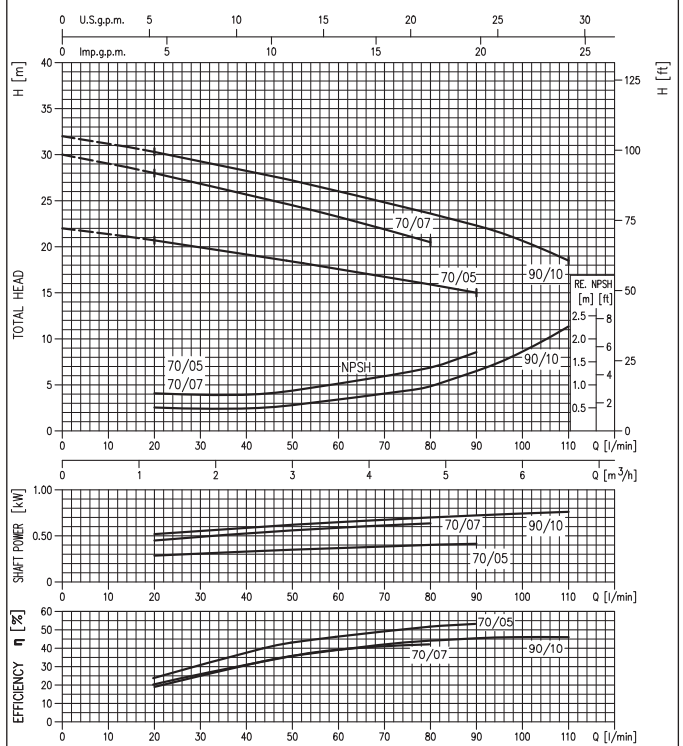
## CDX Pump



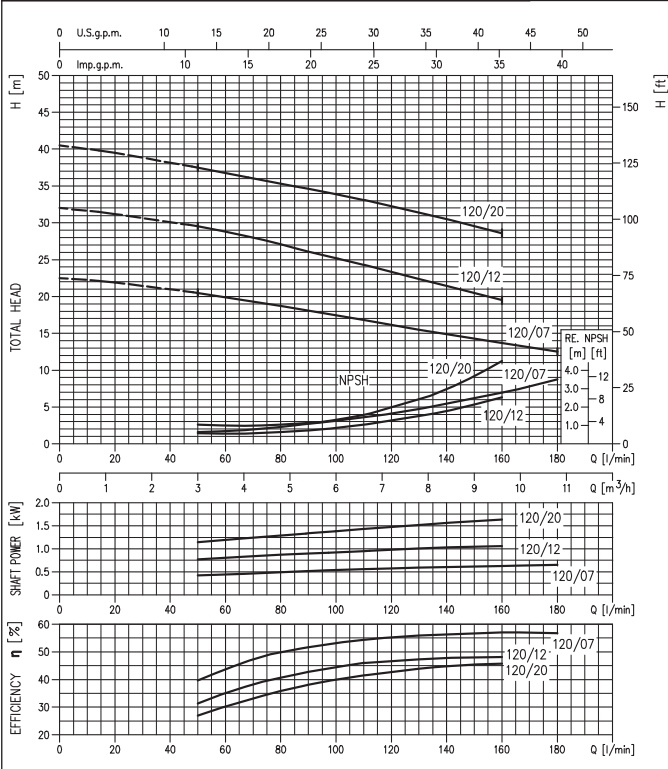
### PERFORMANCE TABLE

| Pump type                 |                              | kW   | Capacitor     |       | Absorbed Current (A) |                     |                     |
|---------------------------|------------------------------|------|---------------|-------|----------------------|---------------------|---------------------|
| Single-phase<br>230V 50Hz | Three-phase<br>230/400V 50Hz |      | $\mu\text{F}$ | $V_c$ | Single-phase         | Three-phase<br>230V | Three-phase<br>400V |
| CDXM 70/05                | CDX 70/05                    | 0.37 | 12.5          | 450   | 3.1                  | 2.4                 | 1.4                 |
| CDXM 70/07                | CDX 70/07                    | 0.55 | 16            | 450   | 4.6                  | 3.5                 | 2.0                 |
| CDXM 90/10                | CDX 90/10                    | 0.75 | 20            | 450   | 5.6                  | 4.0                 | 2.3                 |
| CDXM 120/07               | CDX 120/07                   | 0.55 | 16            | 450   | 4.6                  | 3.2                 | 1.9                 |
| CDXM 120/12               | CDX 120/12                   | 0.9  | 31.5          | 450   | 6.9                  | 5.2                 | 3.0                 |
| CDXM 120/20               | CDX 120/20                   | 1.5  | 40            | 450   | 9.3                  | 7.0                 | 4.0                 |
| CDXM 200/12               | CDX 200/12                   | 0.9  | 31.5          | 450   | 6.3                  | 4.7                 | 2.7                 |
| CDXM 200/20               | CDX 200/20                   | 1.5  | 40            | 450   | 10.7                 | 7.0                 | 4.0                 |
|                           | CDX 200/25                   | 1.8  | -             | -     | -                    | 8.2                 | 4.8                 |

## CDX 70/CDX 90 Series



## CDX 120 Series



## CDX 200 Series

